



ROBOTICS AND
AUTOMATION

MACHINE TOOL
TECHNOLOGY

Board Meeting 1/04/2022

EMPLOYEES WE PROVIDE

OPERATORS



MAINTENANCE TECHS



PROGRAMMERS



ENGINEERS





www.CreativeCertificates.com

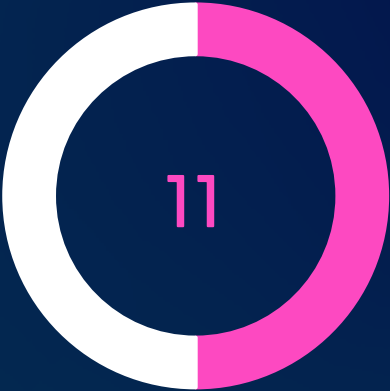
CREDENTIALS OFFERED

- STRATASYS ADDITIVE MANUFACTURING
- OSHA WORK-BASED LEARNING SAFETY CERT
- PARKER HANNIFIN INDUSTRIAL PNEUMATIC TECHNOLOGY
- PARKER HANNIFIN INDUSTRIAL HYDRAULIC TECHNOLOGY

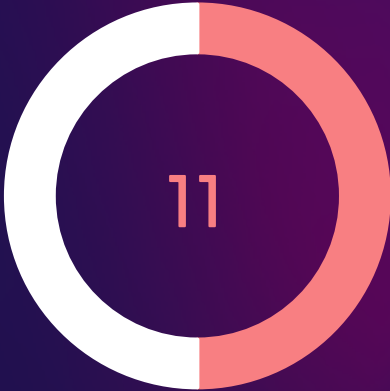
- FANUC CNC MACHINING SETUP, OPERATIONS & PROGRAMMING
- FANUC CNC TURNING SETUP, OPERATIONS & PROGRAMMING

- FANUC HANDLING TOOL OPERATIONS & PROGRAMMING
- FANUC IRVISION OPERATIONS & PROGRAMMING
- ALLEN BRADLEY/ROCKWELL AUTOMATION INTRO TO AUTOMATION, ACDC DRIVES & MICRO850 PROGRAMMING

CLASS BREAKDOWN

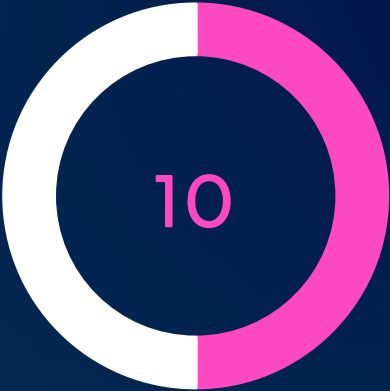


SENIORS

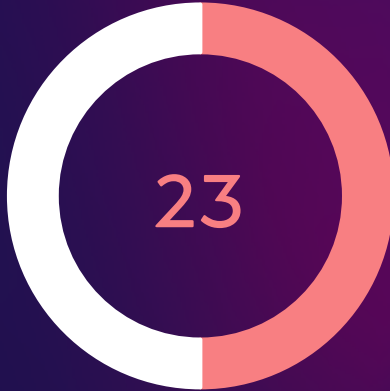
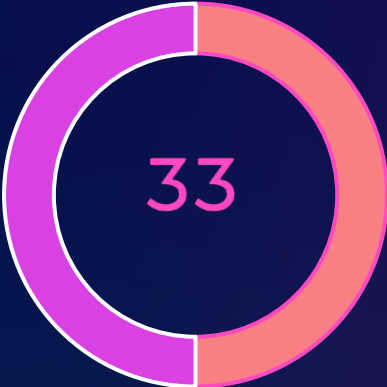


JUNIORS

CLASS BREAKDOWN



SENIORS



JUNIORS

CURRENT PROGRESS

So far this year the students have worked with several different pieces of equipment and many types of software.

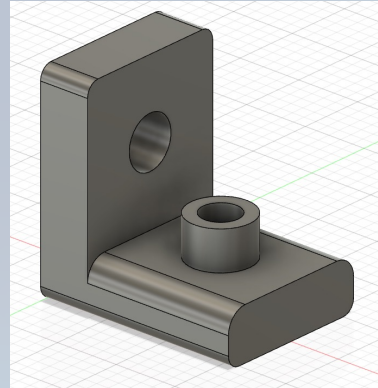


CURRENT PROGRESS



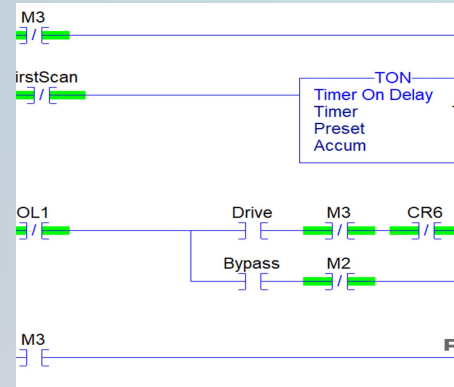
MEASUREMENT TOOLS

Calipers, Tape Measure, Multimeter, etc.



FUSION 360 CAD

Students were introduced to the Fusion 360 CAD Software environment.



PLC'S

MicroLogix 1100 (RSLogix500), Micro850 (CCW), Logic Flow, Timers, Counters, etc.



PARKER HANNIFIN

Pneumatics, Hydraulics, Fittings, DCV, Actuators, Motors, etc.

WHAT'S NEXT

CONTROL PANELS

We will be working with control panel components. Circuit breakers, power supplies, terminal blocks, motor starters, VFDs, etc.

WIRING DIAGRAMS

Students will learn how to follow a wiring diagram to wire / troubleshoot specific issues that may arise.

EXTERNAL EQUIPMENT

Photoelectric sensors, proximity sensors, thermocouples, etc.



WORKING TOGETHER



ADULT CERT TRAINING

LapeerAMTC.com



**LAPEER ADVANCED
MANUFACTURING
TRAINING CENTER**

VARIETY OF WAYS TO ENROLL

SELF PAID

An individual can pay for themselves to enroll for the program.

COMPANY PAID

A company can send their team members to training.

SPONSORSHIP

They can be sponsored by MiWorks, etc. to take adult education courses.

ADULT GRADUATES

6 ENROLLED

6 of my previous seniors enrolled for the adult training.

6 GRADUATES

All 6 of which graduated the course over an 8 week period. They are all currently employed in the industry with wages ranging from \$18 - \$24 an hour.



THANK YOU

Thank you for your continued support.

For more info:

Dayonte Grimes:

dayonte.grimes@lapeerschools.org

Doug Lindsey

douglas.lindsey@lapeerschools.org

Lapeer High School:

810.667.2418